

Now available in a non-mercury version, these sensors provide you with the stability, sensitivity and performance you have come to expect from the traditional mercury-based Thermo Scientific Ramsey Tilt Switches.

## Thermo Scientific Ramsey Mercury-Free Tilt Sensors



### Features and Benefits

- Rugged, abrasion-resistant tilt probes
- Simple installation
- All probes include mounting hardware
- Solid-state control unit with printed circuit boards
- Control unit is available in the following options
  - Field mount NEMA 4
  - Field mount NEMA 4X
  - DIN mount NEMA 1
- User adjustable time delay to prevent false alarms
- LED status lights — no bulbs to change

The Thermo Scientific Ramsey Mercury-Free Tilt Sensor uses advanced technology inside the tilt probe to replicate the same performance found in traditional mercury-based Thermo Scientific Ramsey Tilt Switches. A combination of opto-electronics and solid state circuitry inside the probe prevents jitter and provides stability not found in the typical non-mercury options.

The precision manufacturing of the tilt probe provides sensing of a 15 degree inclination in a full 360 degrees of direction. Multiple models of the tilt probe are available for applications with a wide variety of materials and environmental conditions (see inside for a description of the available options). All probes have fully encapsulated electronics and come with the necessary mounting hardware.

The field-mount control unit includes the traditional green “Normal” and red “Alarm” indicators with LED illuminators (a DIN mount control is also available). The DPDT relay contacts give you two normally open and two normally closed connections for your external alarms and/or controls. An internal jumper allows you to select whether “Normal” is a horizontal or a tilted position. An adjustable time delay inside the control prevents a momentary tilting of the probe from causing a false or premature contact transfer. Interruption of line power will cause a contact transfer.

**Ramsey Mercury-Free Tilt Sensor Controls**

The sensor consists of a control unit and a tilt probe.

Due to the nature of the stabilizing electronics, tilt probes cannot be used without a controller.



**20-35-NM-F —Field Mount Control (IP65/NEMA 4)**



**20-35-NM-F-4x SST—Field Mount Control (IP65/NEMA 4x)**



**20-35-NM-DIN—DIN Mount Control (IP20/NEMA 1)**

**Ramsey Mercury-Free Tilt Sensor Probes**



**20-59-NM  
Standard 1 in. Nickel Plated  
Cast Ductile Iron Probe**



**20-55-NM-P  
1 in. Light Weight  
Plastic Probe**



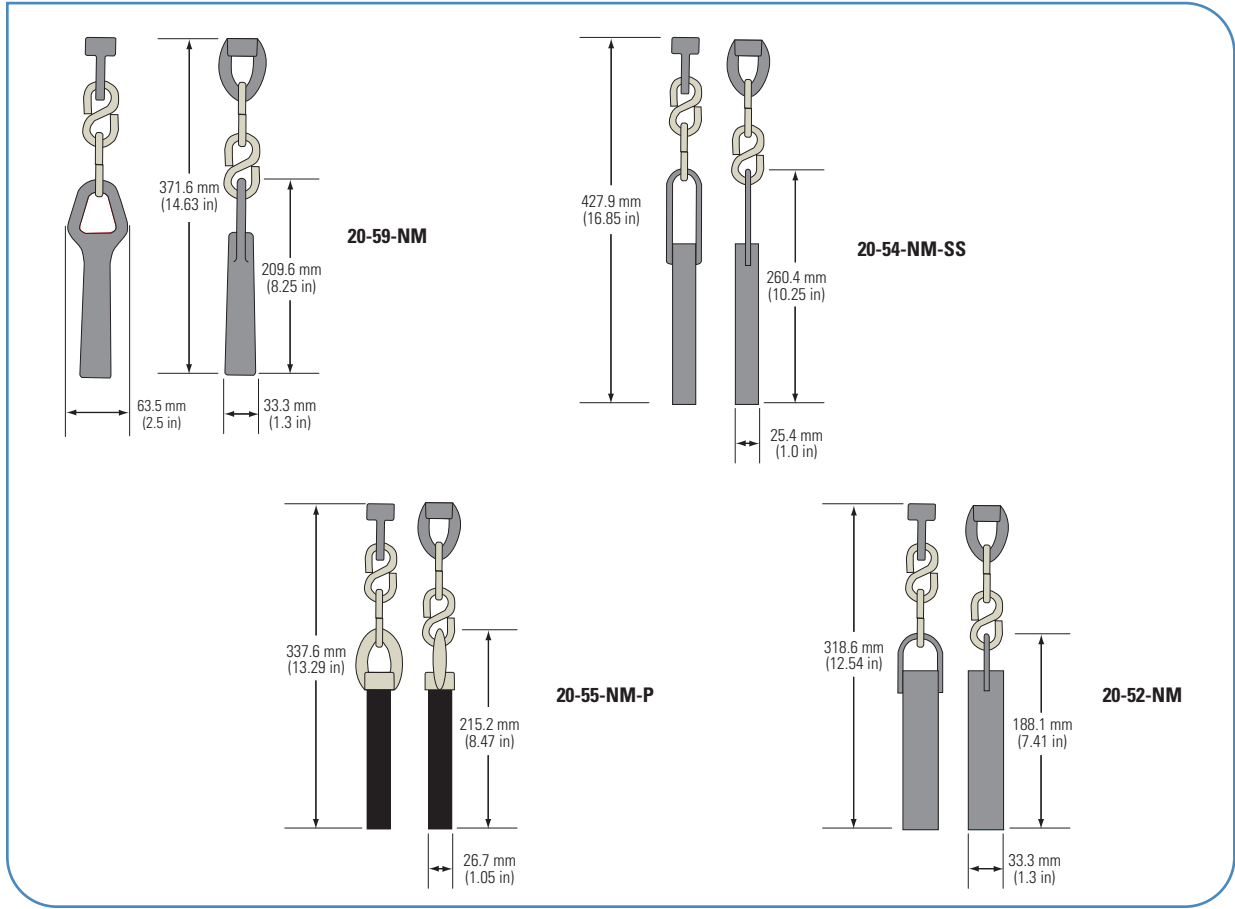
**20-54-NM-SS  
1 in. Stainless Steel Probe**



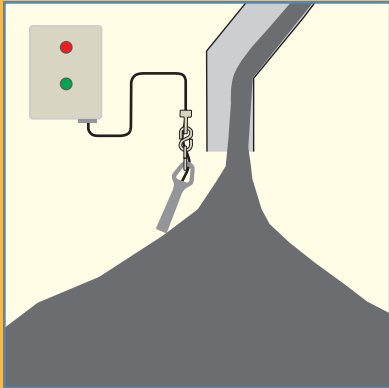
**20-52-NM  
2 in. Heavy Weight Probe**



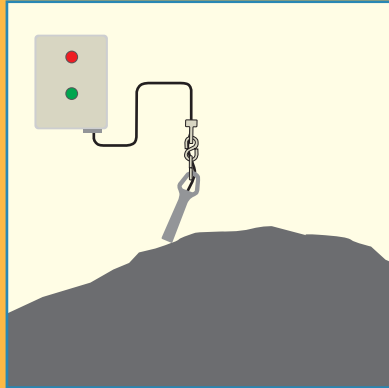
Tilt Sensor Probe Models



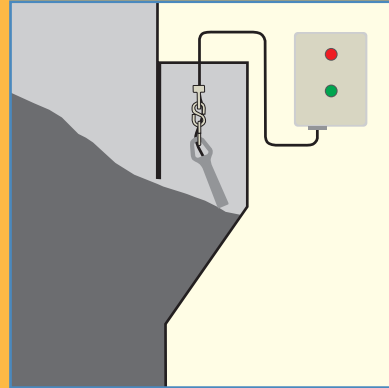
Typical Industry Applications



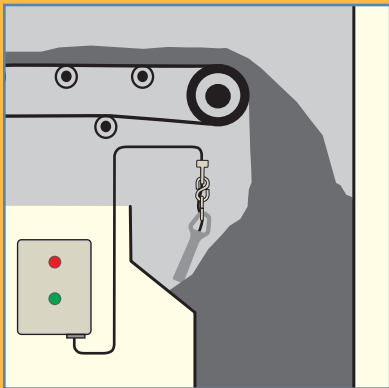
High Level



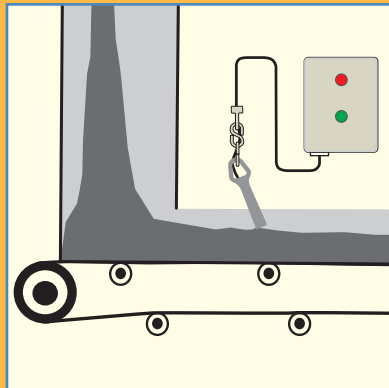
High Pile



Low Level



Plugged Chute



Material Flow

## Thermo Scientific Ramsey Mercury-Free Tilt Sensors

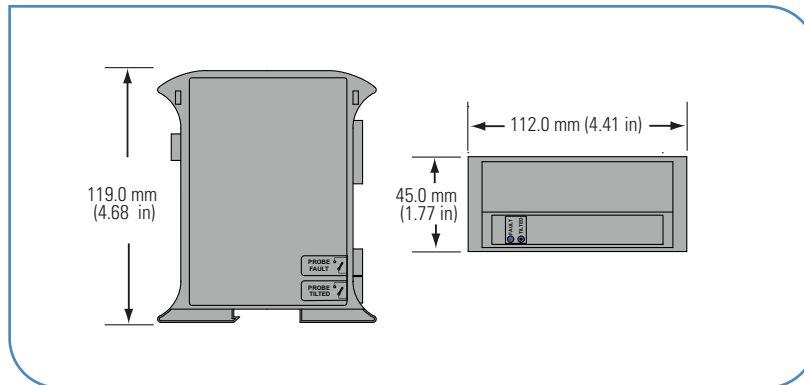
### Probes

Temperature Rating	All models	-40°C (-40°F) to +50°C (+122°F)
Protection	All models	IP67 (NEMA 4x)
Mounting Hardware	All models	Hanger and two S-hooks included
Certifications	All models	CSA, CE
Hazardous Area Certifications	Approvals Pending	

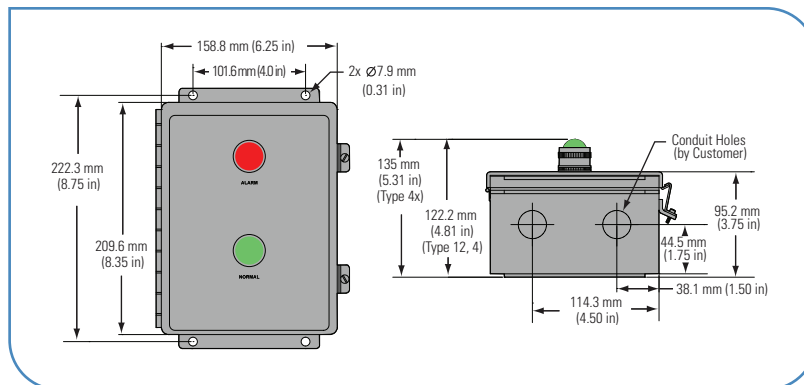
### Controllers

Input Power	All models	115/230 VAC, 50/60 HZ
Alarm Contact Rating	20-35-NM-F	(2) SPDT—10 Amp@115/230 VAC, 7 Amp@30 VDC non-inductive
	20-35-NM-F-4X	(2) SPDT—10 Amp@115/230 VAC, 7 Amp@30 VDC non-inductive
	20-35-NM-DIN	(1) NO—2 Amp@115/230 VAC, 3 Amp@24VDC
Fault Contact Rating	All models	(1) NO—rated for 2 Amp@115/230 VAC@24VDC
Time Delay	All models	1, 2, 4, or 6 seconds selectable by jumpers
Temperature Rating	All models	-40°C (-40°F) to +50°C (+122°F)
Protection	20-35-NM-F	IP65 (NEMA 4)
	20-35-NM-F-4X	IP65 (NEMA 4X)
	20-35-NM-DIN	IP20 (NEMA 1)
Certifications	All models	CSA, CE
Hazardous Area Certifications	Approvals Pending	

### 20-35-NM-DIN Mounting Dimensions



### 20-35-NM-F Mounting Dimensions



© 2009 Thermo Fisher Scientific Inc. All rights reserved. All trademarks are the property of Thermo Fisher Scientific Inc. and its subsidiaries. Results may vary under different operating conditions. Specifications, terms and pricing are subject to change. Not all products are available in all countries. Please consult your local sales representatives for details. Literature Code PL8045.0109

Australia  
+61 (0) 8 8208 8200  
+61 (0) 8 8234 3772 fax  
Canada  
+1 (905) 888-8808  
+1 (905) 888-8828 fax  
Chile  
+56 (0) 2 378 8050  
+56 (0) 2 370 1082 fax  
China  
+86 (0) 21 6865 4588  
+86 (0) 21 6445 7830 fax

Germany  
+49 (0) 208-824930  
+49 (0) 208-852310 fax  
India  
+91 (20) 6626 7000  
+91 (20) 6626 7001 fax  
Italy  
+39 02-959514-1  
+39 02-953200-15 fax  
Netherlands  
+31 (0) 76-579-5555  
+31 (0) 76-571-4958 fax

South Africa  
+27 (0) 11-609-3101  
+27 (0) 11-609-3110 fax  
Spain  
+34 (0) 91-484-5965  
+34 (0) 91-484-3597 fax  
United Kingdom  
+44 (0) 1788-820300  
+44 (0) 1788-820301 fax

United States  
+1 (800) 445-3503  
+1 (763) 783-2525 fax  
+1 (763) 783-2500 direct